

MT1389L/K (LQFP128) DVD TEST Board w/ Sanyo HD6x Series PUHs

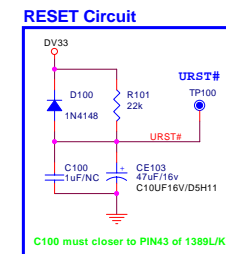
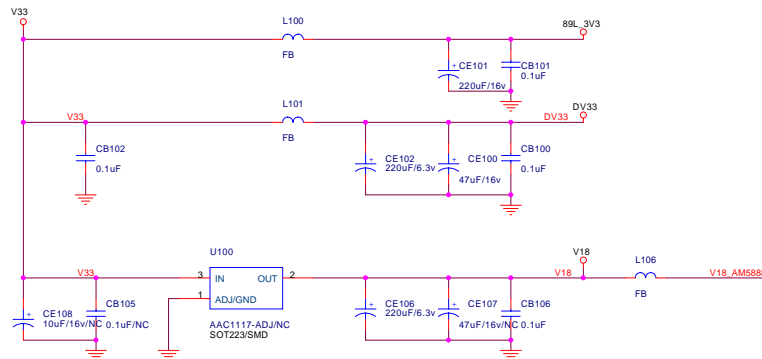
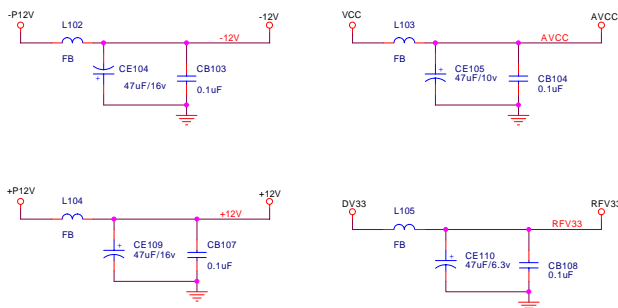
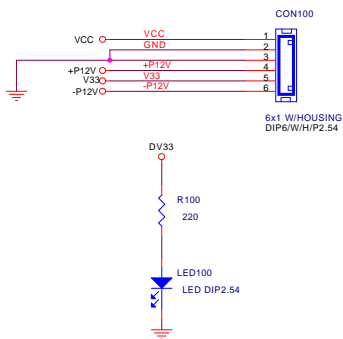
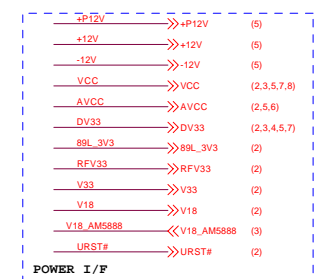
- 1 INDEX & POWER, RESET
- 2 MT1389L/K LQFP128
- 3 MOTOR DRV
- 4 SDRAM & FLASH
- 5 AUDIO I/F
- 6 VIDEO I/F
- 7 MS/SD & USB
- 8 GAME I/F

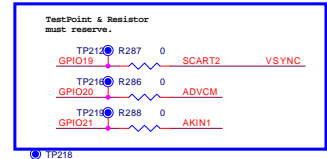
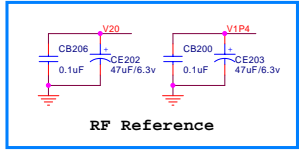
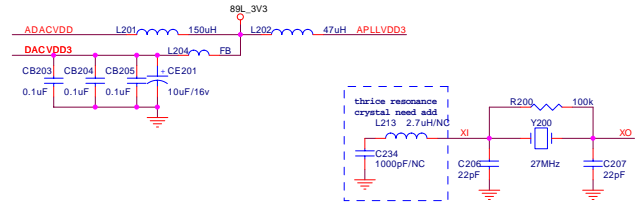
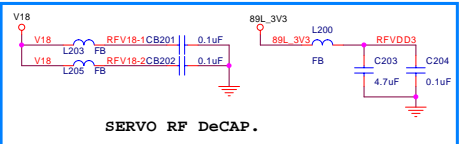
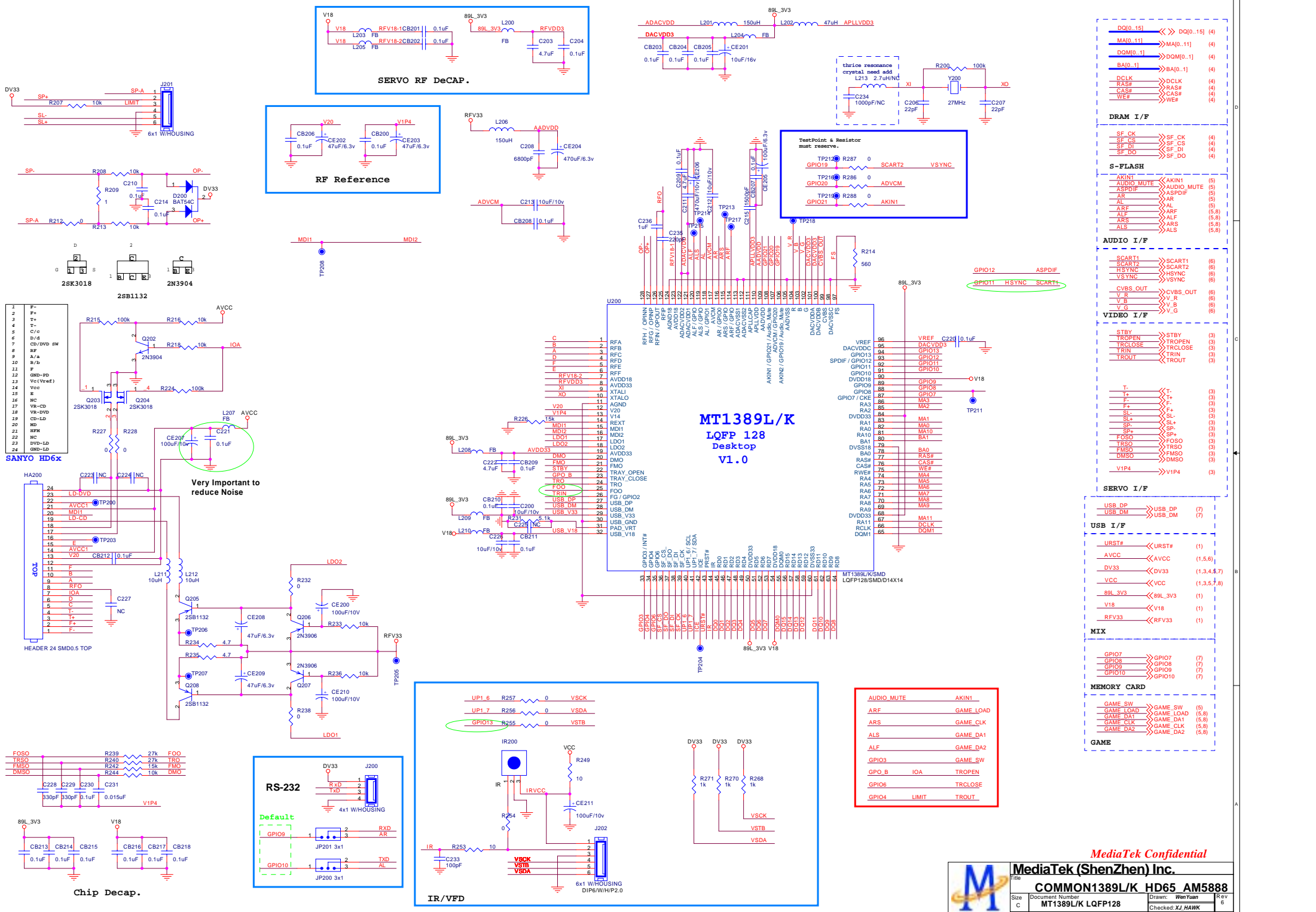
MT1389L/K Full Function:
(USB, 1CH MIC, 6CH DAC, VGA/SCART, GAME, CARD, VFD)

MT1389L/K General GPIO List

Name	PIN	Features
GPIO3	33	GAME_SW
GPIO4	34	LIMIT TROUT
GPIO6	35	TRCLOSE
GPIO7	87	MS_CLK
GPO_A	22	STBY
GPO_B	23	TROPEN IOA
GPIO2	26	TRIN
GPIO8	88	MS_BS SD_CLK
GPIO9	89	MS_D0 SD_CMD
GPIO10	91	SD_D0
GPIO11	92	SCART1 HSYNC
GPIO12	93	ASPDIF
GPIO13	94	VSTB
GPIO19	106	SCART2 VSYNC
GPIO20	107	ADVCM
GPIO21	108	AKIN1 AUDIO_MUTE
GPIOK0	27	USB_DP
GPIOK1	28	USB_DM
GPIOK2	31	PAD_VRT
UP1_6	40	VSCK
UP1_7	41	VSDA
ARF	114	AUDIO_ARF GAME_LOAD
ARS	115	AUDIO_ARS GAME_CLK
ALS	119	AUDIO_ALS GAME_DA1
ALF	120	AUDIO_ALF GAME_DA2

Rev	History	Date
V1	The original released. Base on 3-SYHI89LSD1-V10.DSN	2006/12/12
V2	1), Re-arrange MT1389LK Servo IO Pin & VFD Pin; 2), Update brake ciucuit; 3), Change RFO circuit	2007/01/22
V3_Ext	1), Re-arrange MT1389L IO Pin 2), GPIO Extension Solution; 3), Add Scart Circuit;	2007/02/05
V4_Ext	1), Exchange Trin and Limit GPIO Pin;	2007/02/12
V5_Ext	1), Modify Mute Circuit;	2007/03/01
V6	1), Re-arrange MT1389L IO Pin; 2), Add GPIO reuse function and circuit;	2007/06/05





DO[0..15]	<<>	DO[0..15]	(4)
MA[0..11]	<>	MA[0..11]	(4)
DM[0..1]	<>	DM[0..1]	(4)
BA[0..1]	<>	BA[0..1]	(4)
DCLK	<>	DCLK	(4)
RAS#	<>	RAS#	(4)
CAS#	<>	CAS#	(4)
WE#	<>	WE#	(4)

DRAM I/F

SF CK	<>	SF CK	(4)
SF CS	<>	SF CS	(4)
SF DI	<>	SF DI	(4)
SF DO	<>	SF DO	(4)

S-FLASH

AKIN1	<>	AKIN1	(5)
AUDIO MUTE	<>	AUDIO MUTE	(5)
ASPDIF	<>	ASPDIF	(5)
AR	<>	AR	(5)
ALF	<>	ALF	(5)
ALP	<>	ALP	(5,8)
ALR	<>	ALR	(5,8)
ARS	<>	ARS	(5,8)
ALS	<>	ALS	(5,8)

AUDIO I/F

SCART2	<>	SCART1	(6)
SCART2	<>	SCART2	(6)
HSYNC	<>	HSYNC	(6)
VSYNC	<>	VSYNC	(6)
CVBS_OUT	<>	CVBS_OUT	(6)
V_R	<>	V_R	(6)
V_B	<>	V_B	(6)
V_G	<>	V_G	(6)

VDDIO I/F

STBY	<>	STBY	(3)
TROPEN	<>	TROPEN	(3)
TRCLOSE	<>	TRCLOSE	(3)
TRIN	<>	TRIN	(3)
TROUT	<>	TROUT	(3)
T-	<>	T-	(3)
T+	<>	T+	(3)
F-	<>	F-	(3)
F+	<>	F+	(3)
SL-	<>	SL-	(3)
SL+	<>	SL+	(3)
SP-	<>	SP-	(3)
SP+	<>	SP+	(3)
FOSO	<>	FOSO	(3)
TRSO	<>	TRSO	(3)
FMSO	<>	FMSO	(3)
DMSO	<>	DMSO	(3)
V1P4	<>	V1P4	(3)

SERVO I/F

USB_DP	<>	USB_DP	(7)
USB_DM	<>	USB_DM	(7)

USB I/F

URST#	<>	URST#	(1)
AVCC	<>	AVCC	(1,3,4,7)
DV33	<>	DV33	(1,3,4,7)
VCC	<>	VCC	(1,3,5,7,8)
89L_3V3	<>	89L_3V3	(1)
V18	<>	V18	(1)
RFV33	<>	RFV33	(1)

MIX

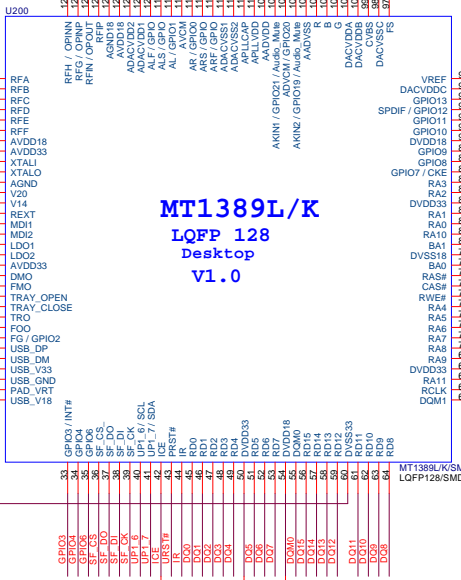
GPIO7	<>	GPIO7	(7)
GPIO8	<>	GPIO8	(7)
GPIO9	<>	GPIO9	(7)
GPIO10	<>	GPIO10	(7)

MEMORY CARD

GAME_SW	<>	GAME_SW	(5)
GAME_LOAD	<>	GAME_LOAD	(5,8)
GAME_DA1	<>	GAME_DA1	(5,8)
GAME_CLK	<>	GAME_CLK	(5,8)
GAME_DA2	<>	GAME_DA2	(5,8)

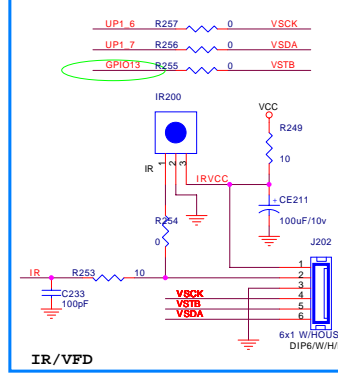
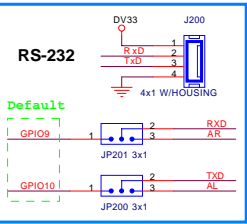
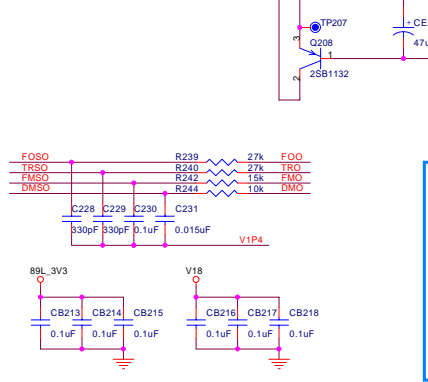
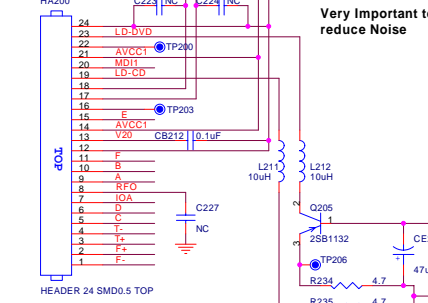
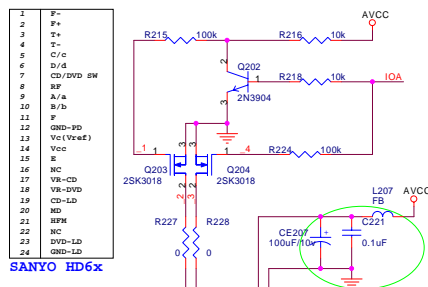
GAME

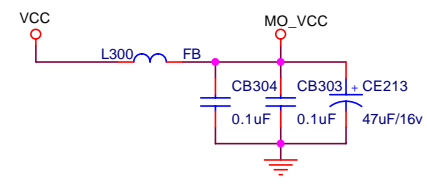
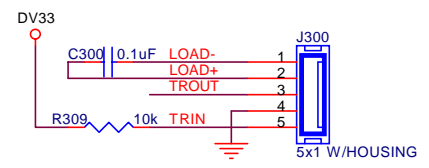
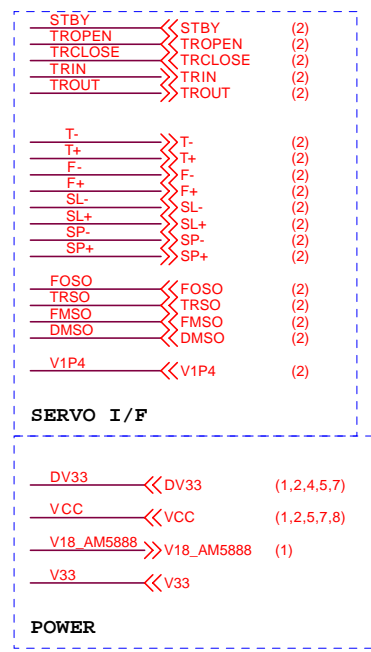
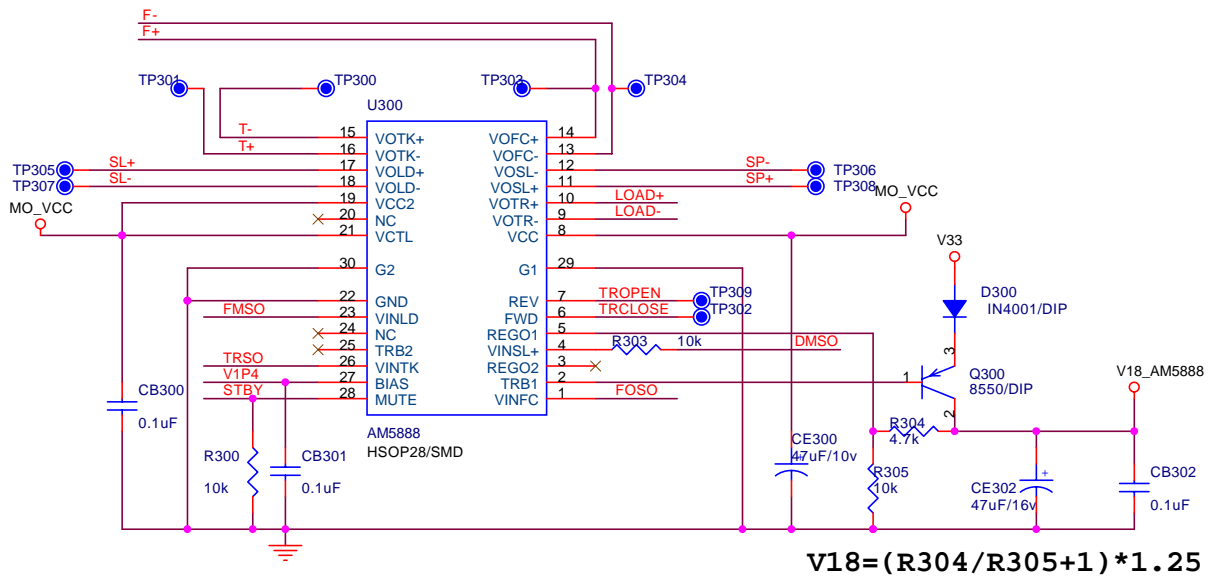
GPIO3	<>	GPIO3	(7)
GPIO4	<>	GPIO4	(7)
GPIO6	<>	GPIO6	(7)
GPIO8	<>	GPIO8	(7)
GPIO9	<>	GPIO9	(7)
GPIO10	<>	GPIO10	(7)



AUDIO MUTE AKIN1

AUDIO MUTE	<>	AKIN1	(5)
ARF	<>	GAME_LOAD	(5)
ARS	<>	GAME_CLK	(5,8)
ALS	<>	GAME_DA1	(5,8)
ALF	<>	GAME_DA2	(5,8)
GPIO3	<>	GAME_SW	(7)
GPIO_B	<>	TROPEN	(7)
GPIO6	<>	TRCLOSE	(7)
GPIO4	<>	LIMIT	(7)
LIMIT	<>	TROUT	(7)

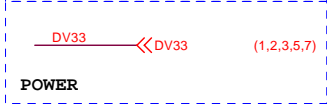
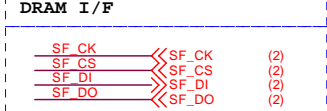
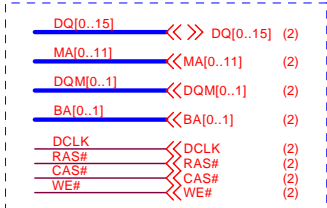
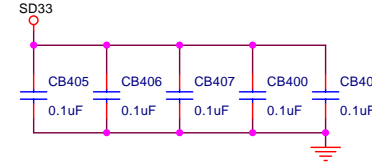
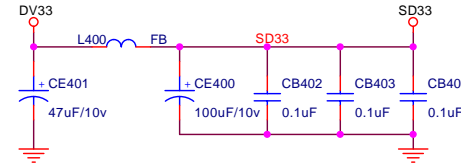
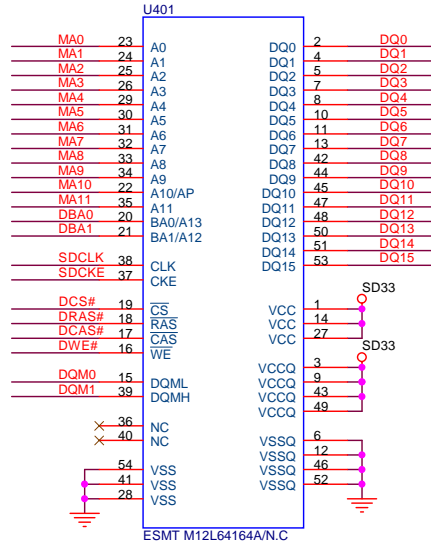
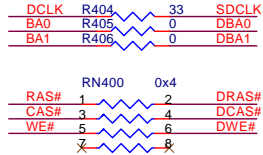
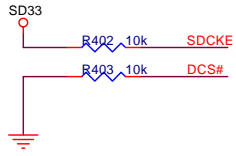
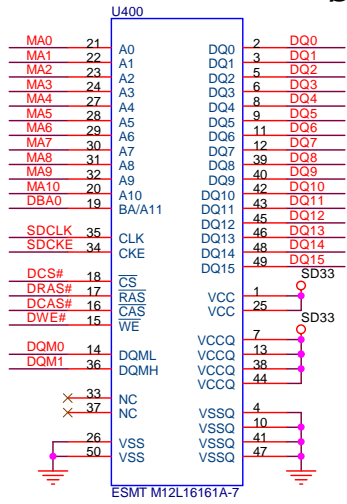




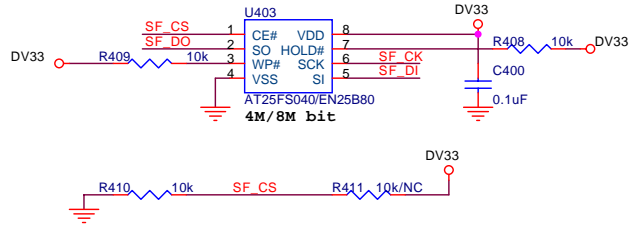
MediaTek Confidential

		MediaTek (ShenZhen) Inc.	
		COMMON1389L/K HD65 AM5888	
Size	Document Number	Drawn: WenYuan	Rev
Custom	MOTOR DRV	Checked: XJ_HAWK	6
Date:	Wednesday, June 13, 2007	Sheet	3 of 8


SDRAM (Dual Layout)

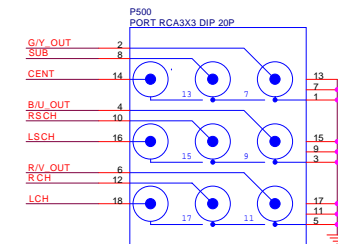
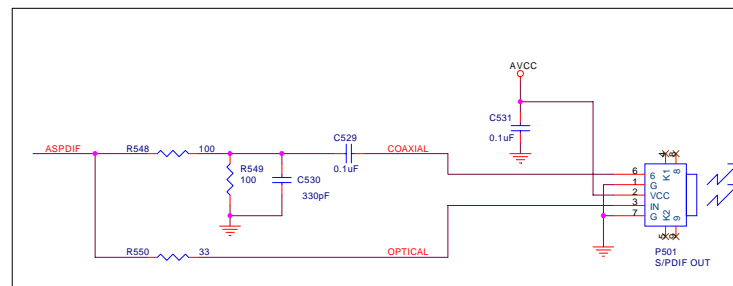
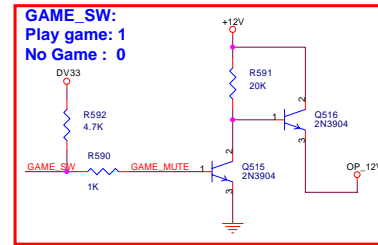
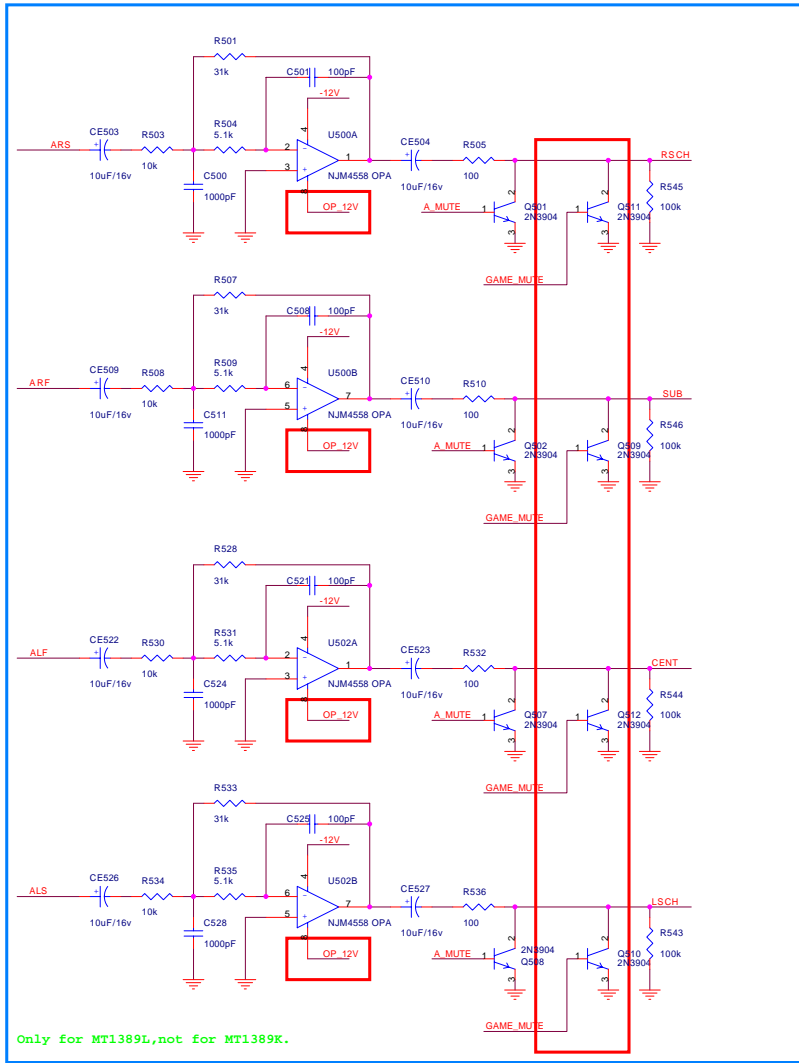
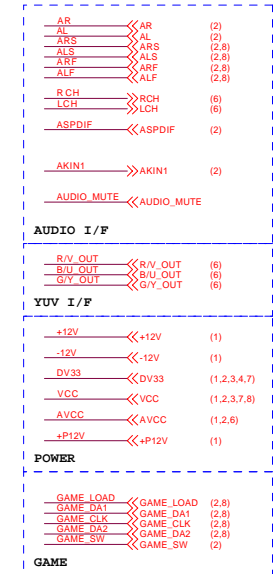
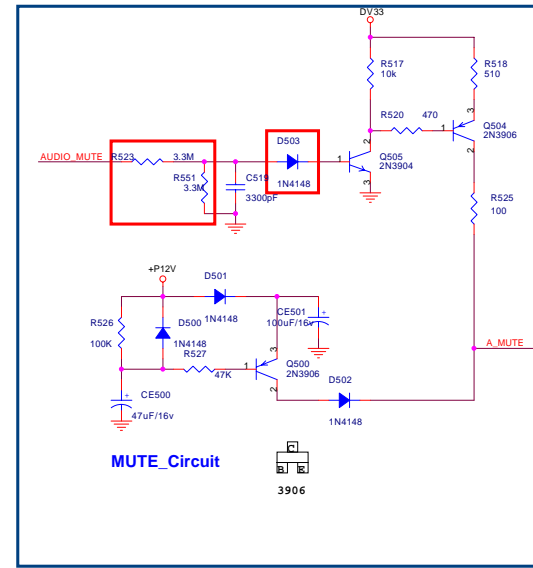
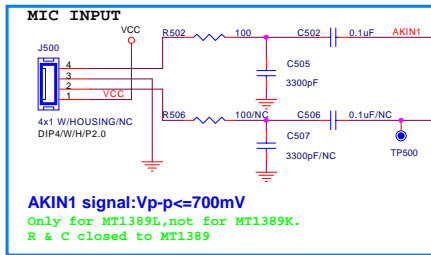
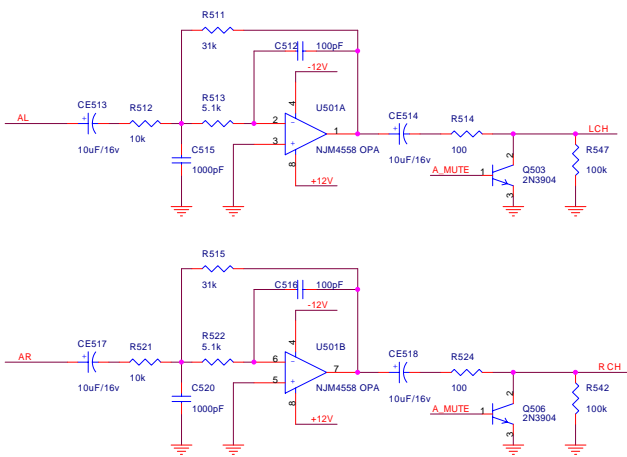


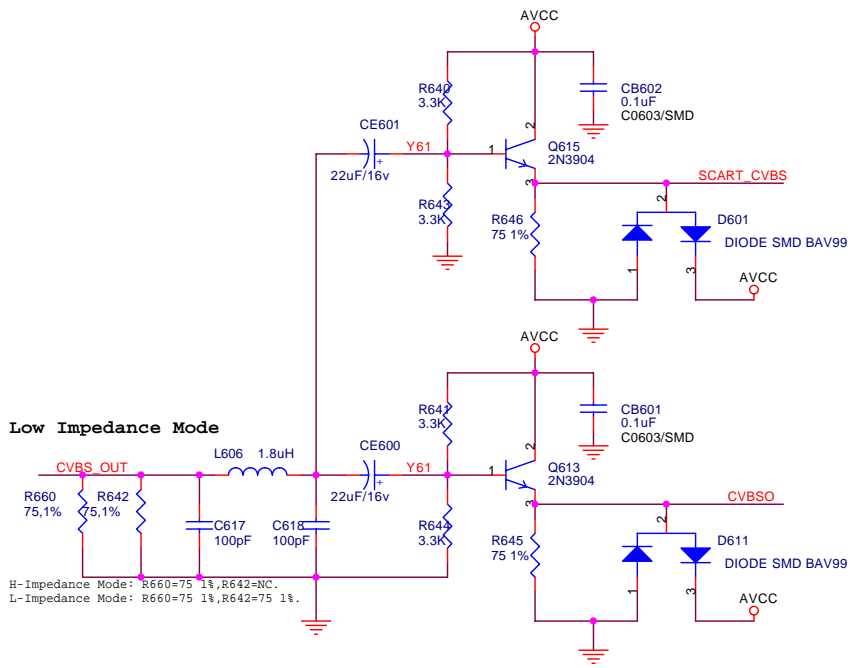
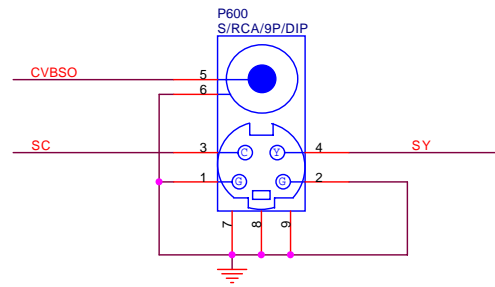
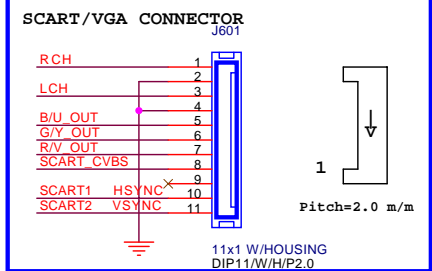
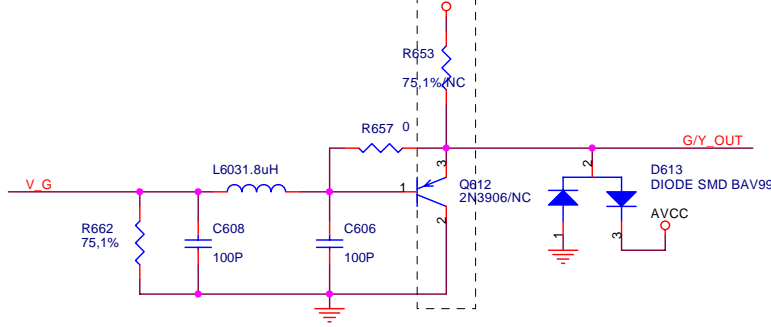
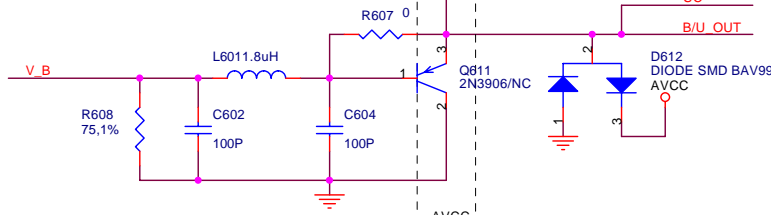
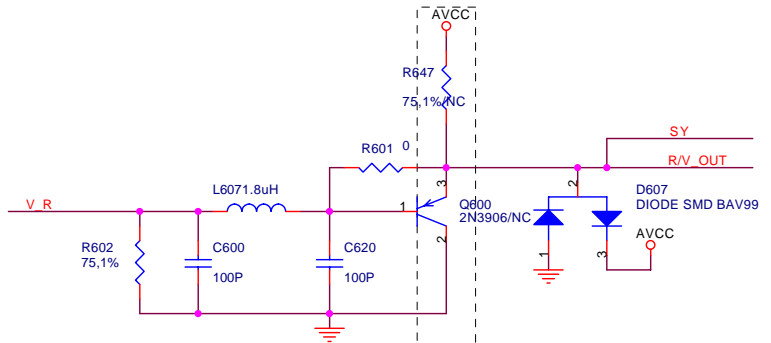
S-FLASH



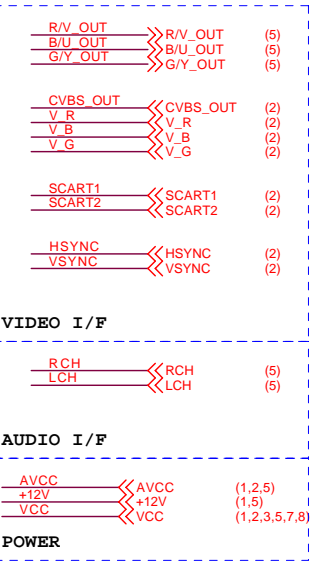
MediaTek Confidential

	MediaTek (ShenZhen) Inc.		
	COMMON1389L/K HD65 AM5888		
Size	Document Number	Drawn: WenYuan	Rev
B	SDRAM & FLASH	Checked: XJ_HAWK	6
Date:	Monday, June 11, 2007	Sheet	4 of 8





Low Impedance Mode
 H-Impedance Mode: R660=75 1%,R642=NC.
 L-Impedance Mode: R660=75 1%,R642=75 1%.

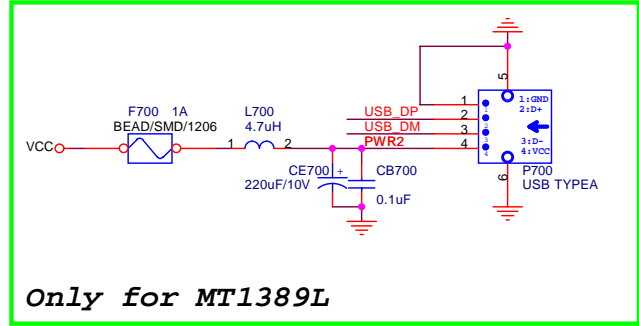
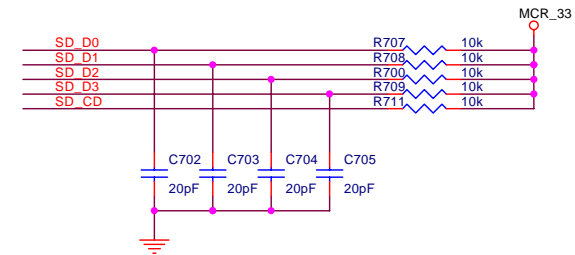
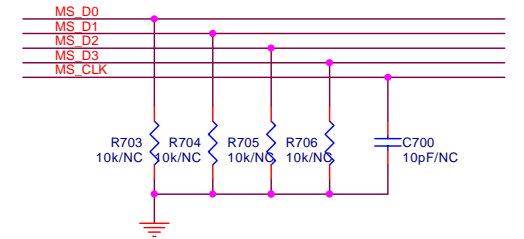
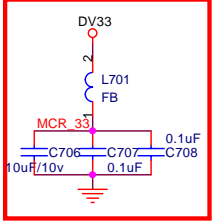
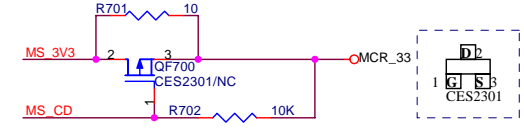
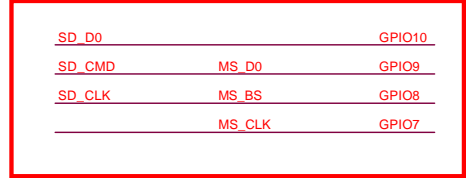
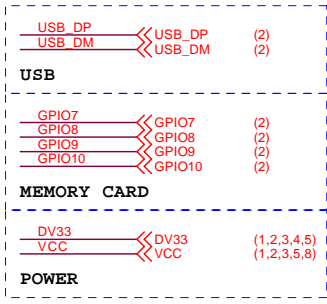
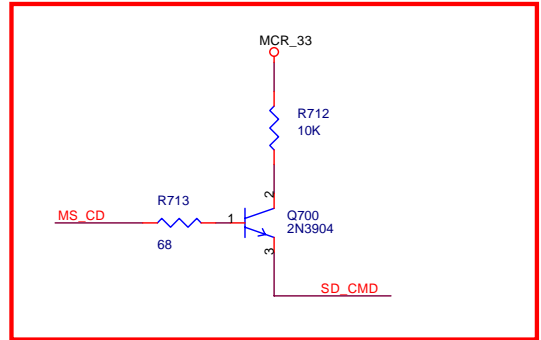
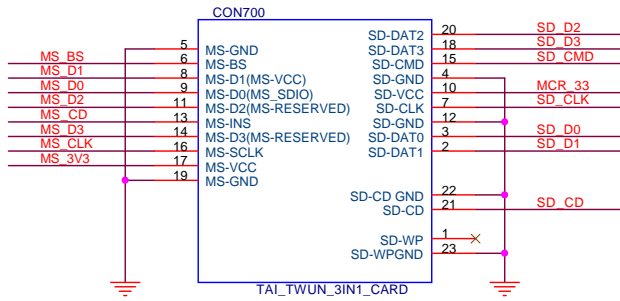


MediaTek Confidential

MediaTek (ShenZhen) Inc.

Title: **COMMON1389L/K HD65 AM5888**

Size	Document Number	Drawn: WenYuan	Rev
B	VIDEO OUT	Checked: XJ_HAWK	6
Date:	Monday, June 11, 2007	Sheet	6 of 8

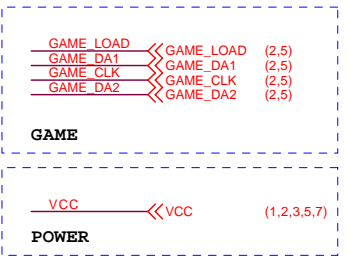
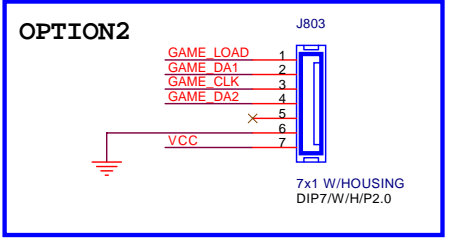
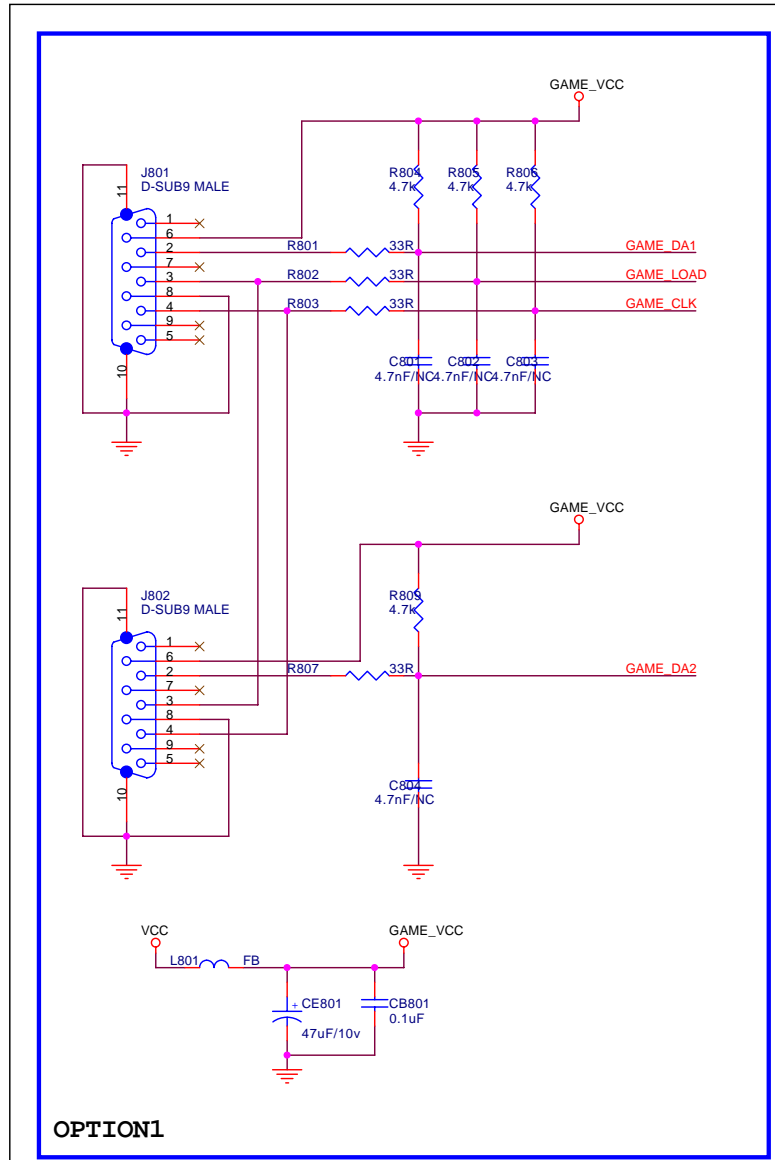


Only for MT1389L

Only For MT1389L

MediaTek Confidential

	MediaTek (ShenZhen) Inc.		
	COMMON1389L/K HD65 AM5888		
Size	Document Number	Drawn: WenYuan	Rev
B	MS/SD & USB	Checked: XJ_HAWK	6
Date:	Monday, June 11, 2007	Sheet	7 of 8



MediaTek Confidential



MediaTek (ShenZhen) Inc.			
Title COMMON1389L/K HD65 AM5888			
Size B	Document Number GAME I/F	Drawn: <i>WenYuan</i>	Rev 6
Date: Monday, June 11, 2007		Checked: <i>XJ_HAWK</i>	Sheet 8 of 8